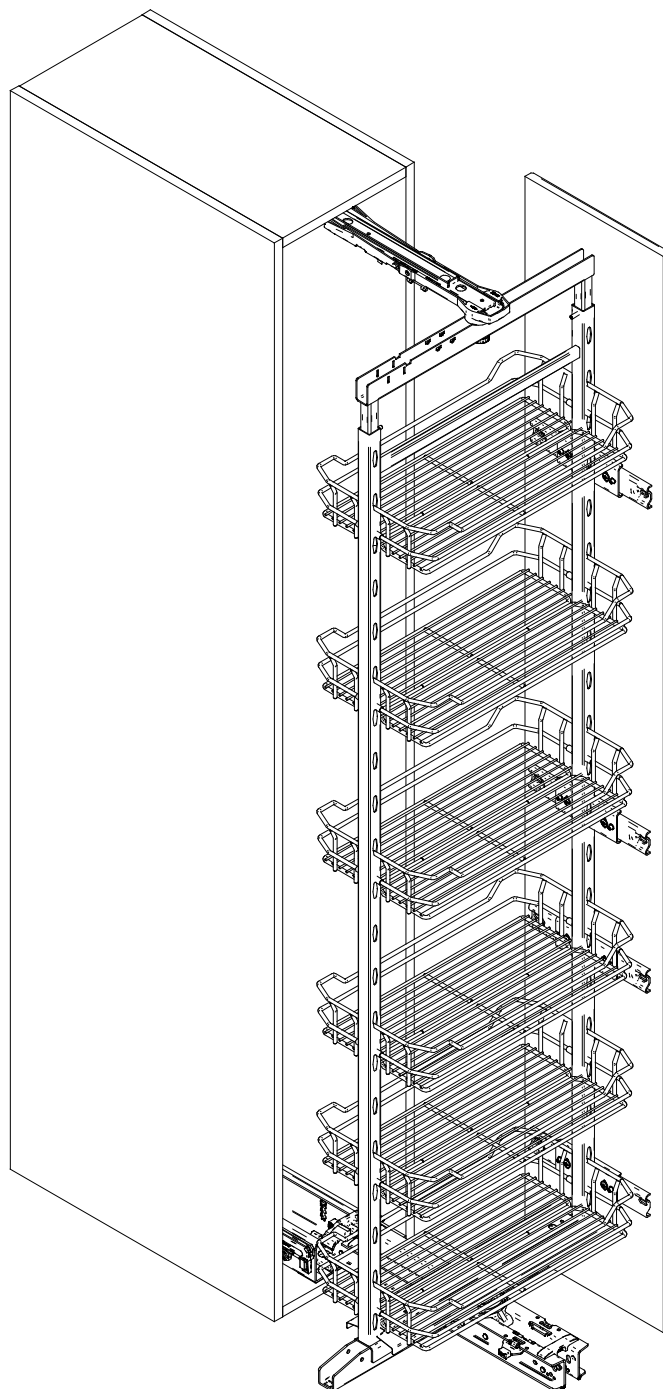


# MAXIMA

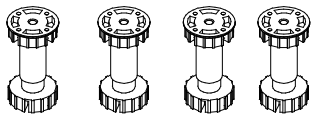
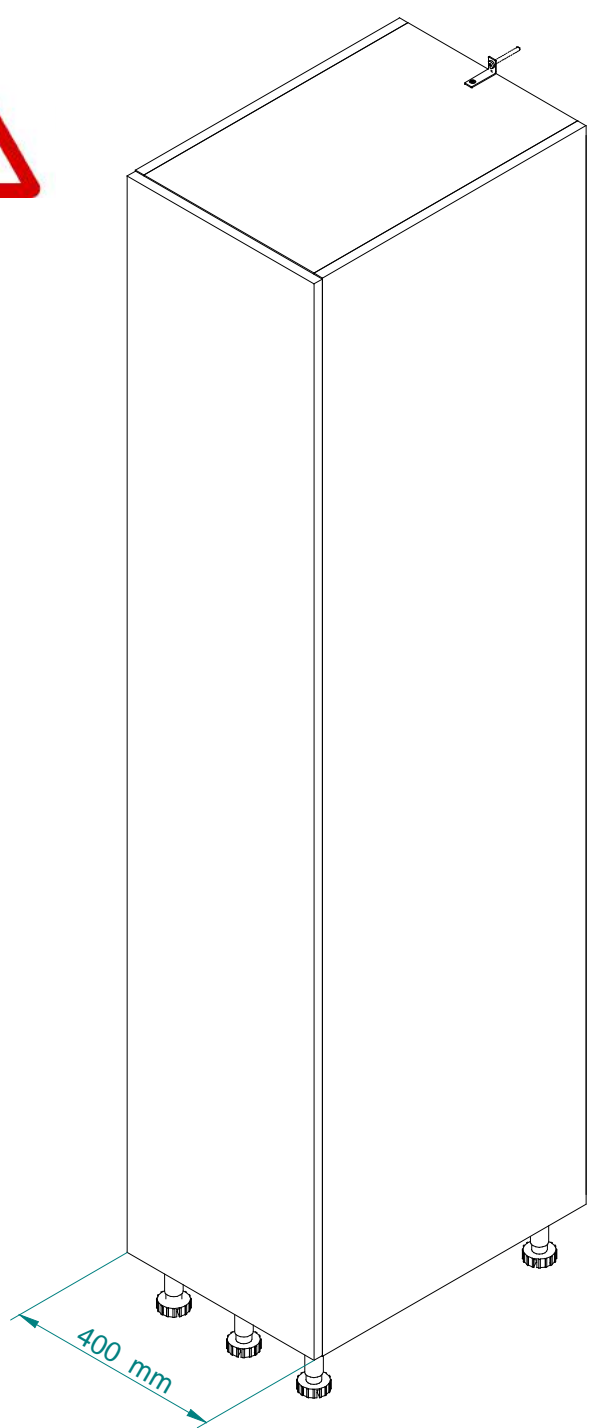
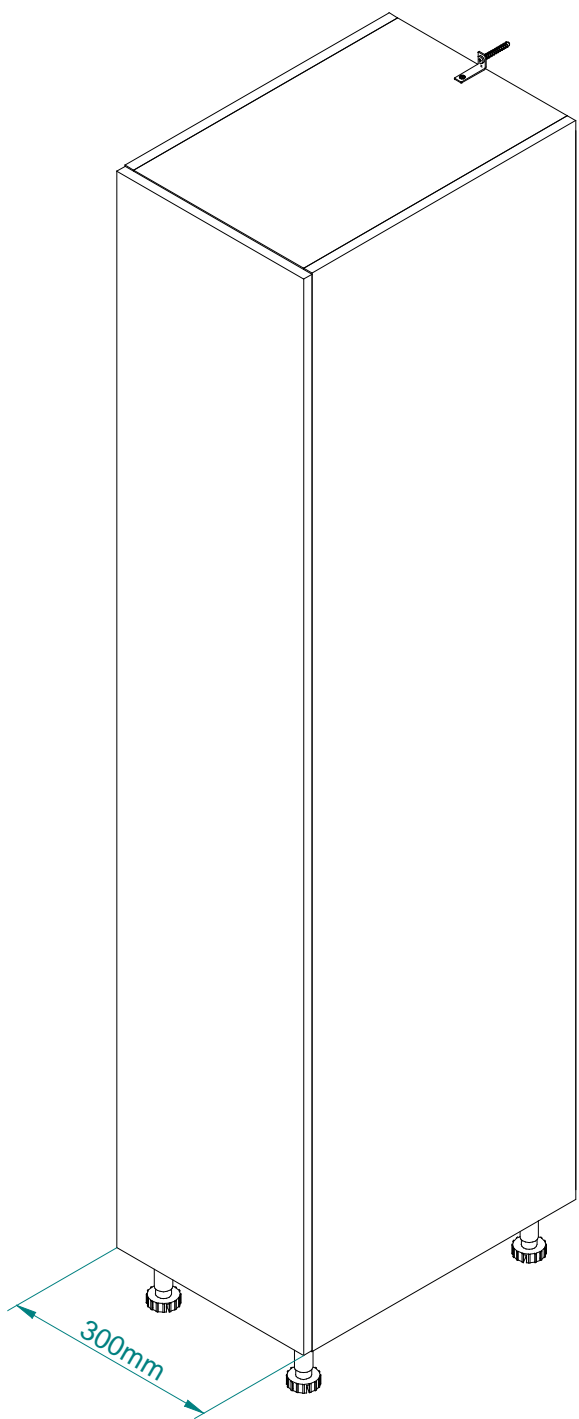
## Cargo Midi/Maxi Obrotowe - 30,40

## Cargo Midi/Maxi Rotary Pull-Out -30,40

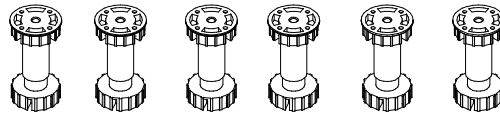


Rejs Spółka z o. o.  
PL 87-500 Rypin  
ul. Mławska 61  
tel. +48 54 280 5651  
fax +48 54 280 6192  
[www.rejs.eu](http://www.rejs.eu)



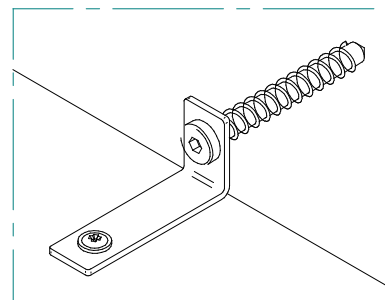
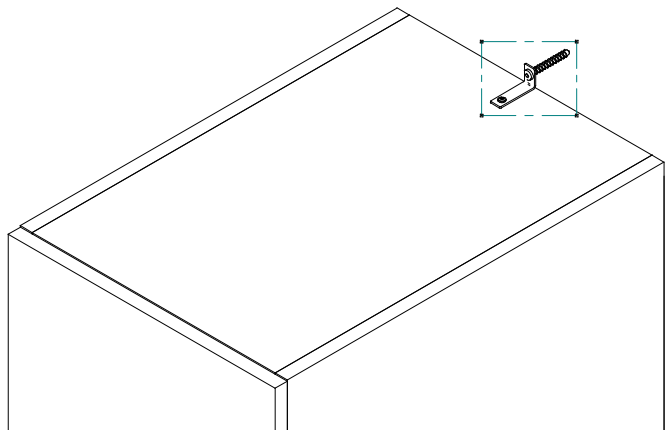


x4



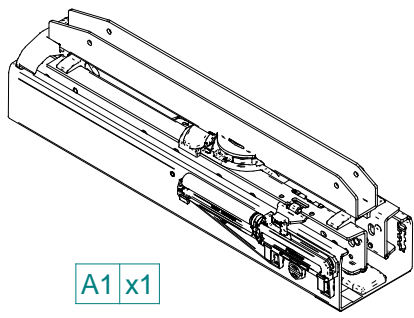
x6

Brak w zestawie not included

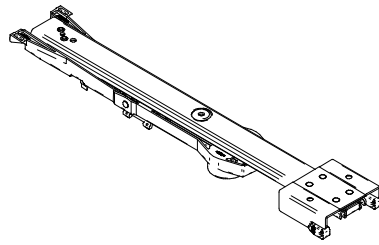


Brak w zestawie not included





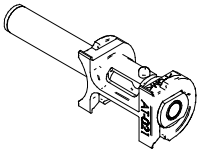
A1 x1



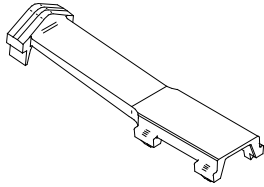
A2 x1



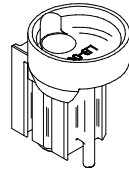
A3 x1



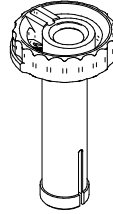
A4 x1



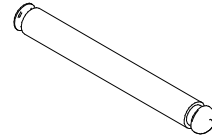
A5 x1



A6 x1



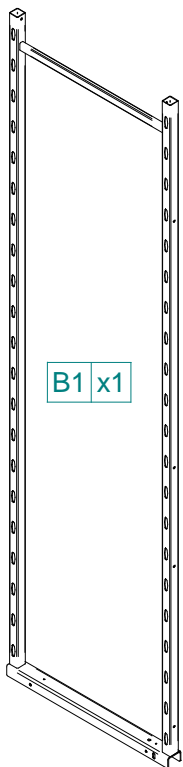
A7 x1



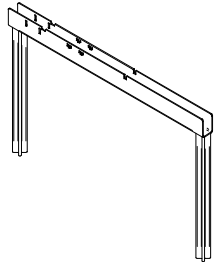
A8 x1



A9 x2



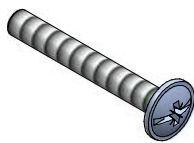
B1 x1



B2 x1



B3 x2 M6x16



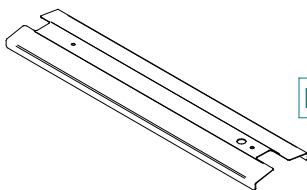
B4 x2 M6x45



B5 x2 M6



B6 x2 Ø 6



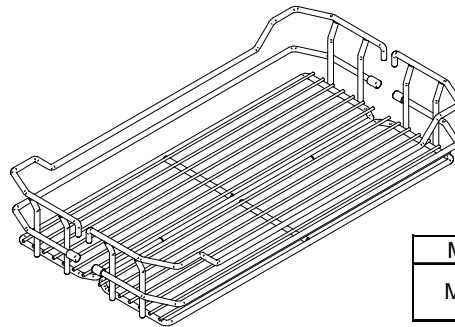
B7 x1



B8 x2



B9 x2 M4x14



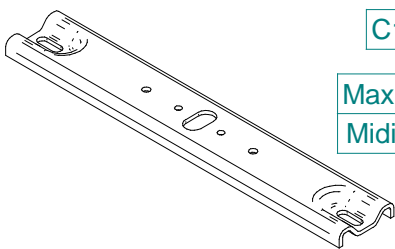
B10

Midi	1210-1410	x4
Maxi	1710-1910	x5
	1910-2110	x6

B11



Midi	1210-1410	x16
Maxi	1710-1910	x20
	1910-2110	x24



C1

Maxi x4  
Midi x3



C3 x4 M6x8



Midi C6 4,5x16 x6  
Maxi C6 4,5x16 x8



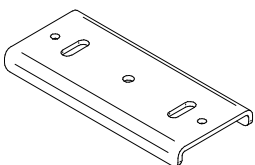
C4 x8 M6x10



C5 x8 M6x6



L3 x1  
L4 x1



C2

Maxi x4  
Midi x3

Brak w zestawie  
not included

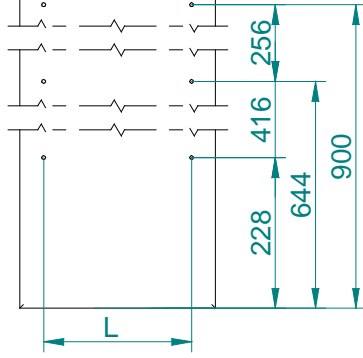
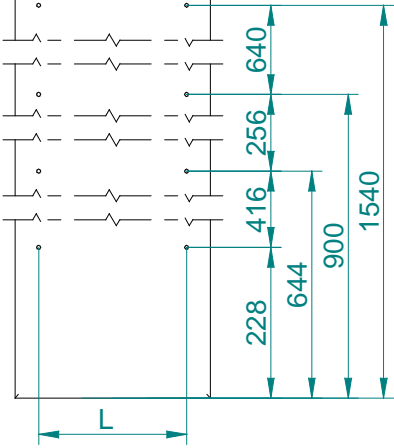
4x16 x9



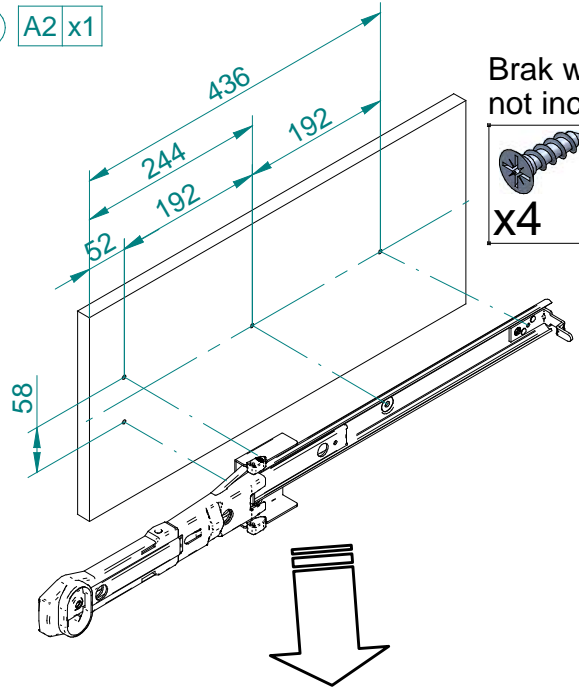
# Maxi

	Cargo	L
Midi / Maxi	30	224
	40	324


# Midi



1 A2 x1



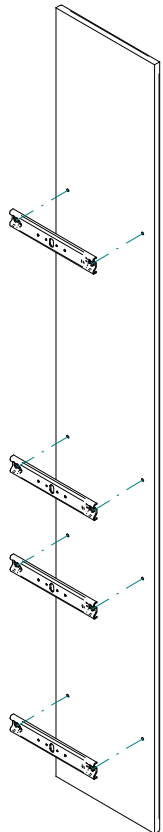
Brak w zestawie  
not included

  
x4 4x16

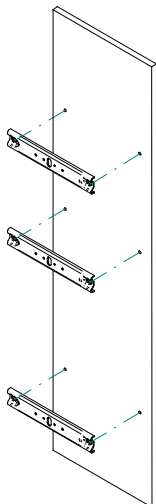
2

Midi	C6	4,5x16	x6
Maxi	C6	4,5x16	x8

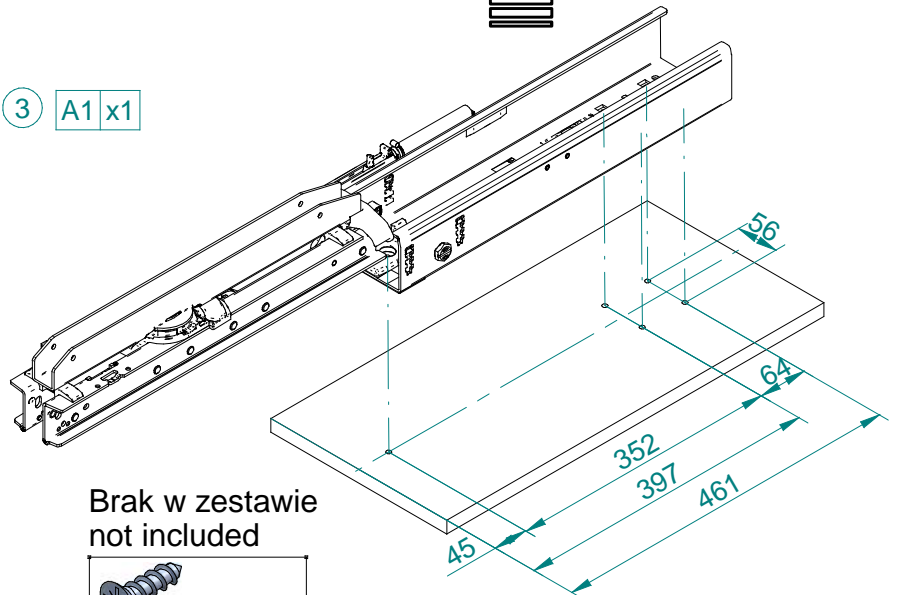
C1 Maxi x4




C1 Midi x3



3 A1 x1

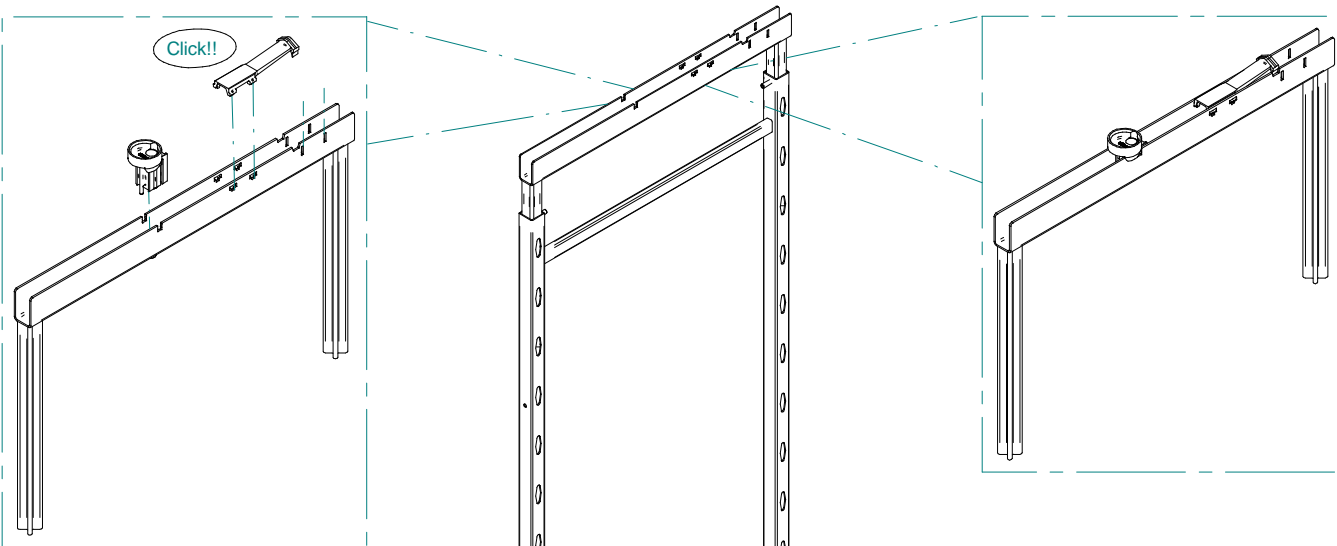


Brak w zestawie  
not included

  
x5 4x16

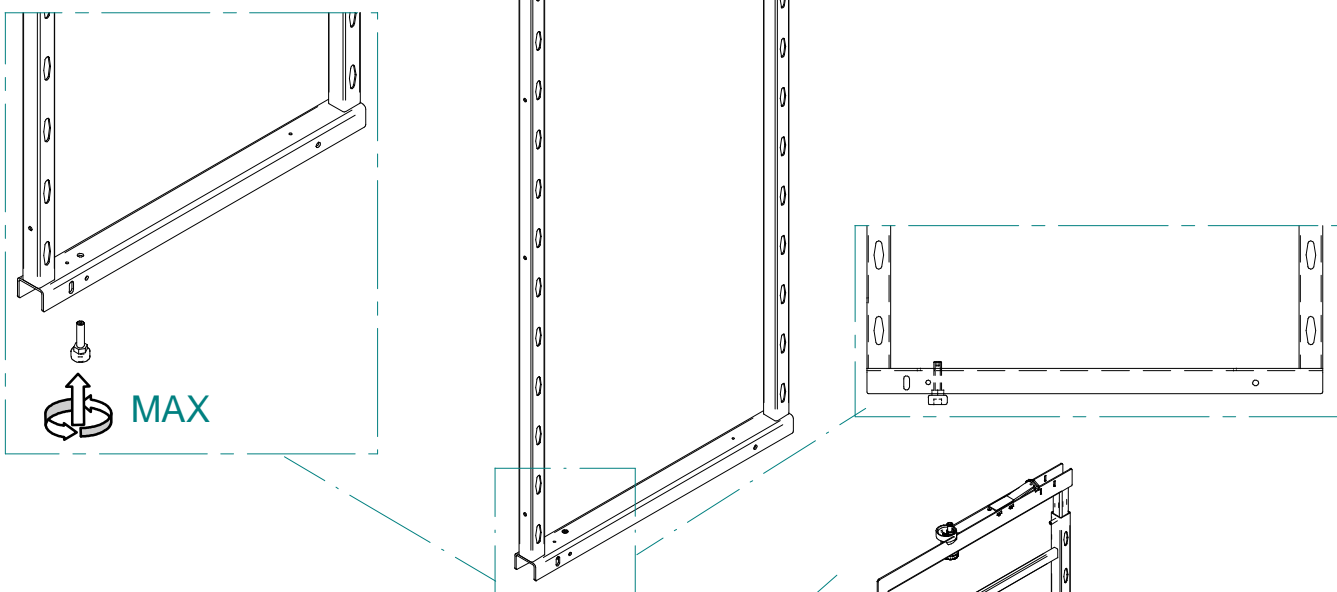
4

- A4 x1
- A5 x1
- A6 x1
- B2 x1



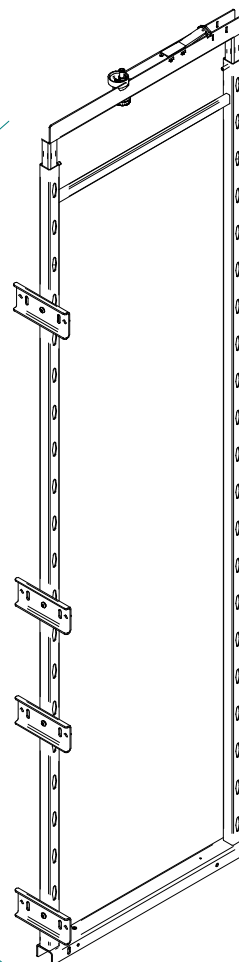
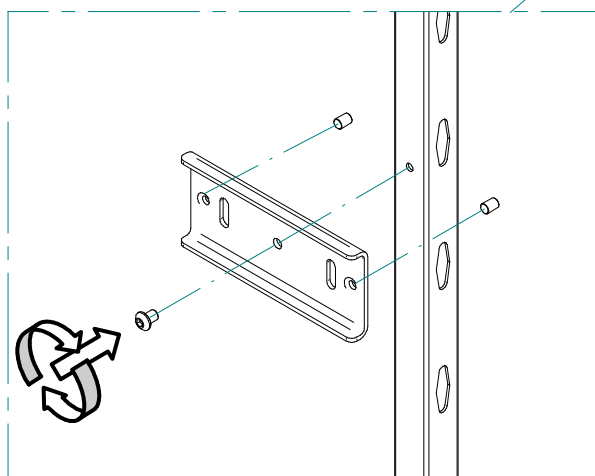
5

- A3 x1
- L4

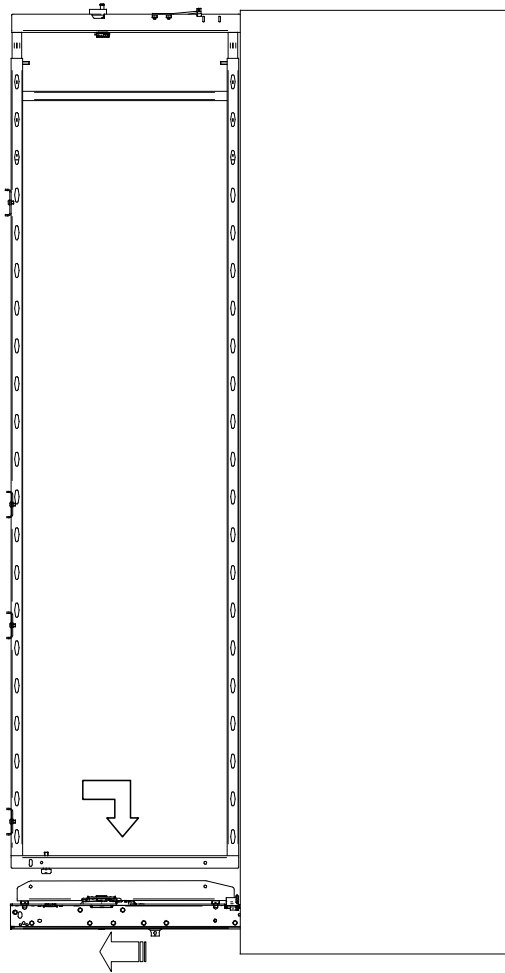


6

- C2 Midi x3
- C2 Maxi x4
- C3 x4
- C5 x8
- L3
- L4

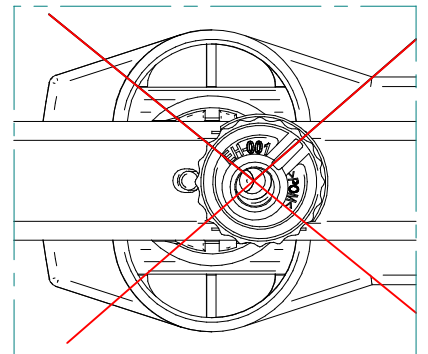
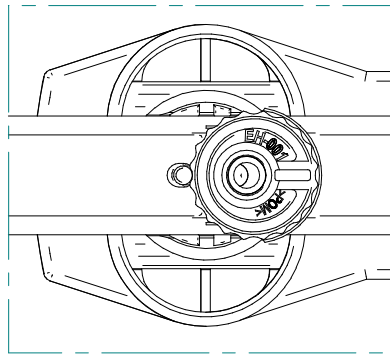
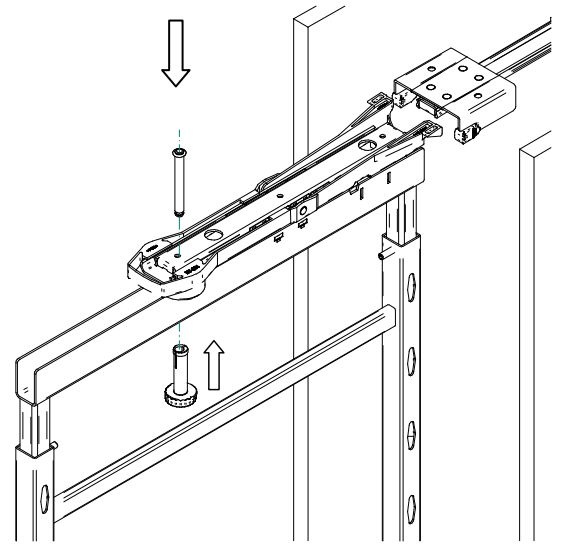


7



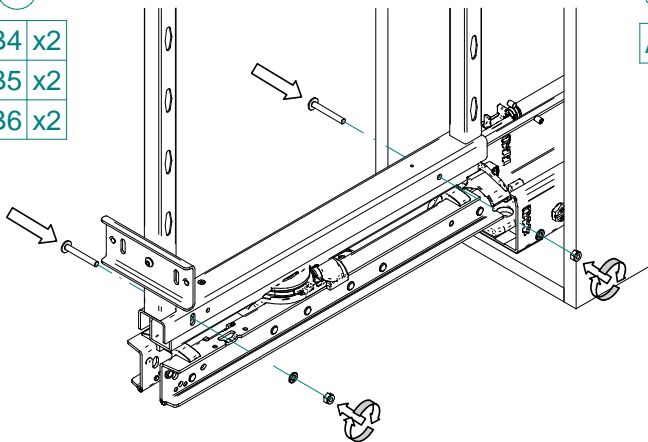
10

- A7 x1
- A8 x1
- A9 x1



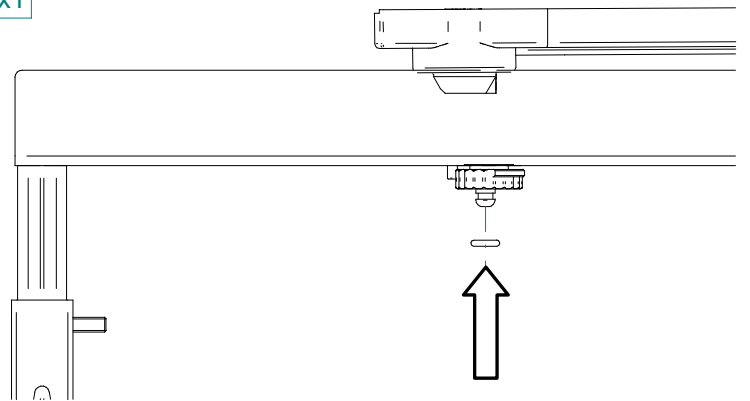
8

- B4 x2
- B5 x2
- B6 x2

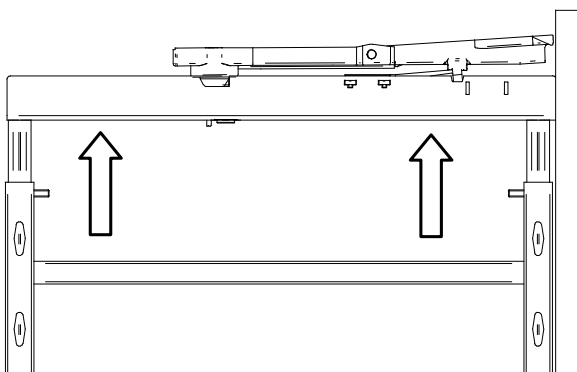


11

- A9 x1

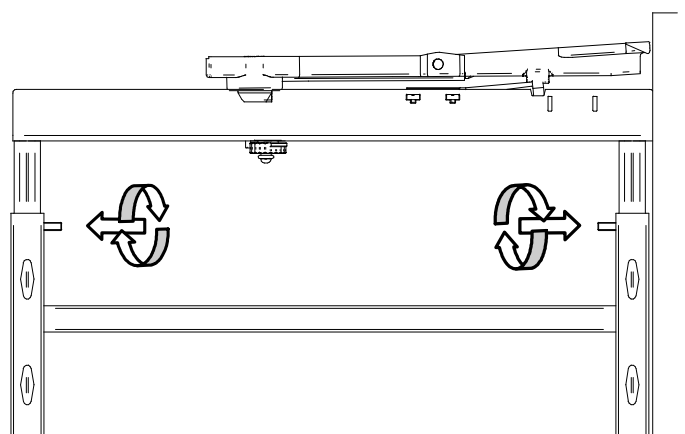


9



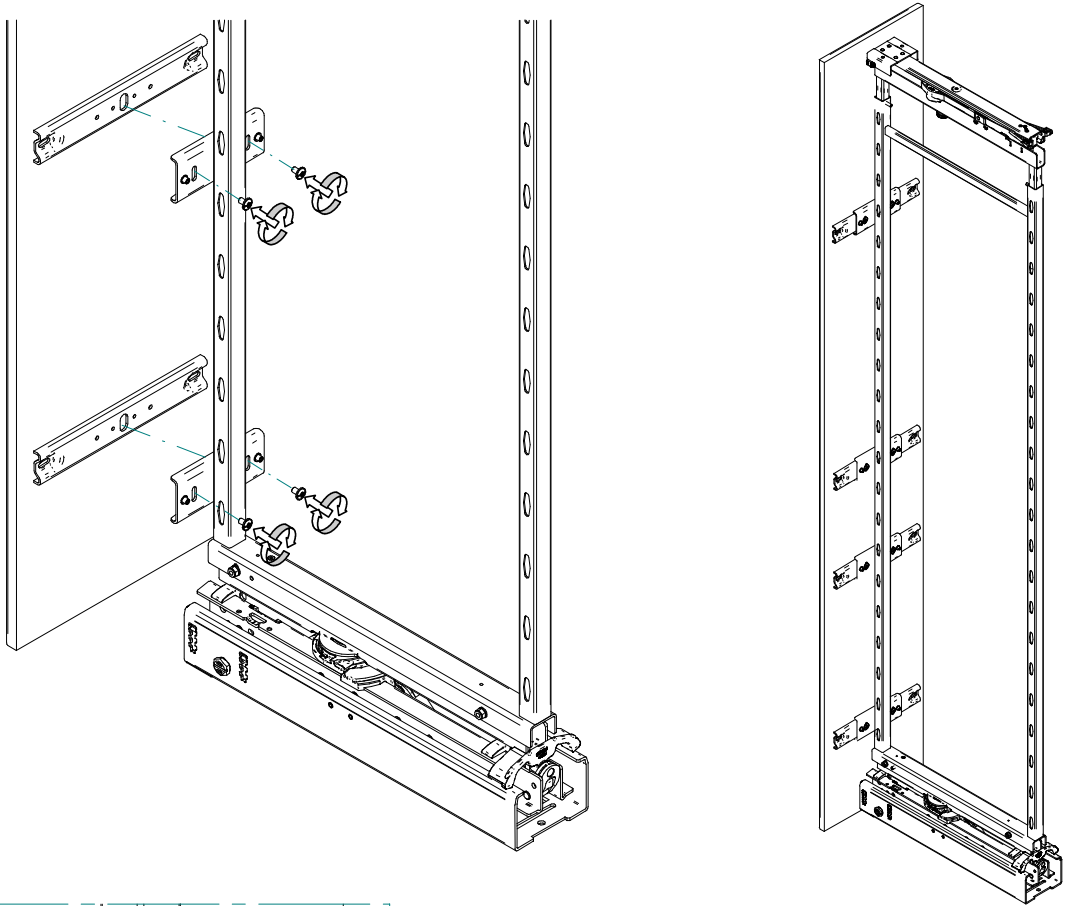
12

- B3 x2
- L3



13

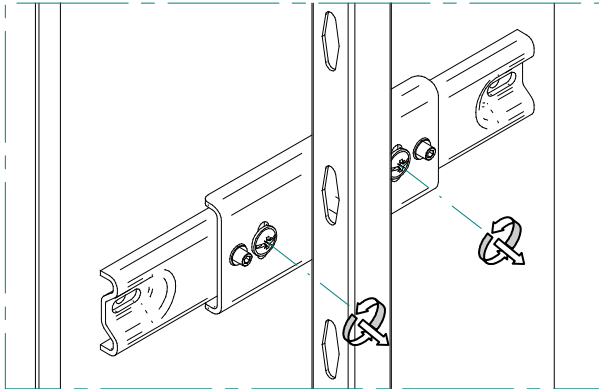
C4 Maxi x8  
C4 Midi x6



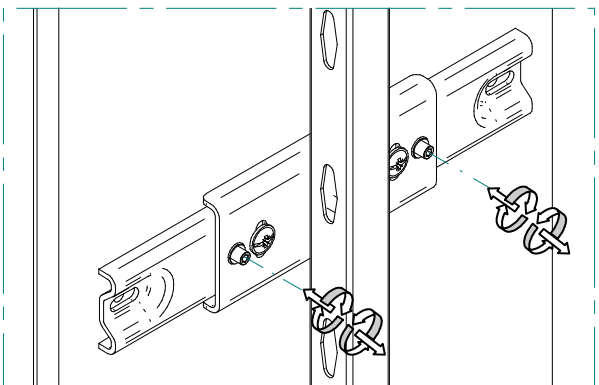
14

L3

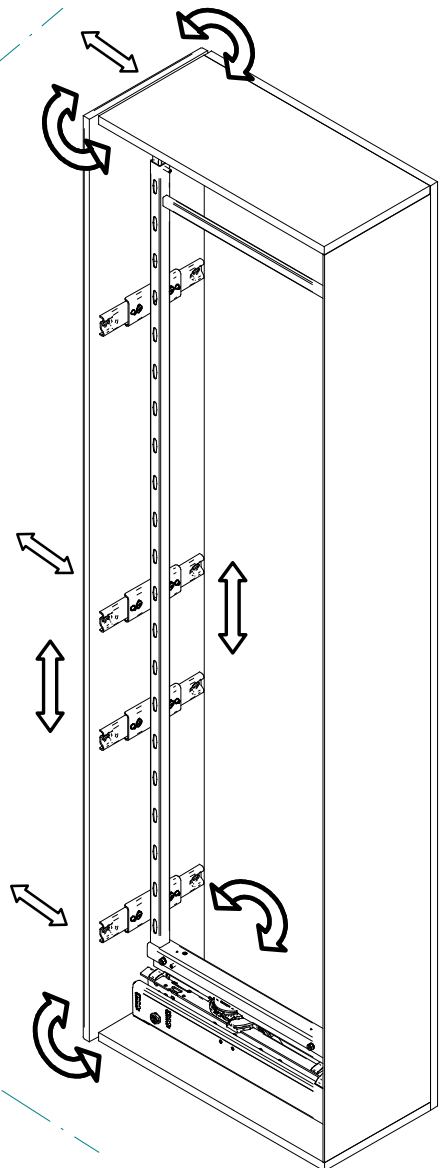
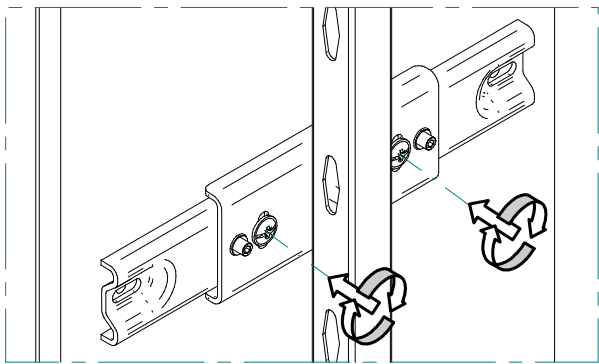
A



B

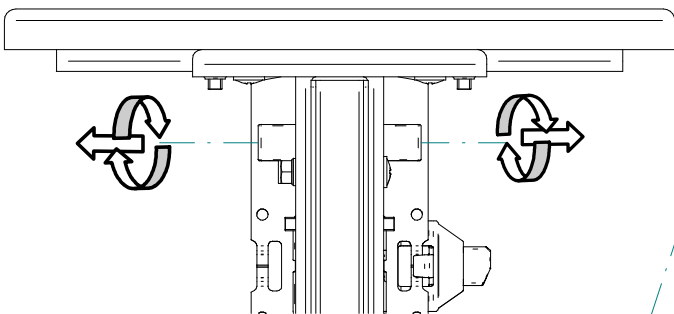


C

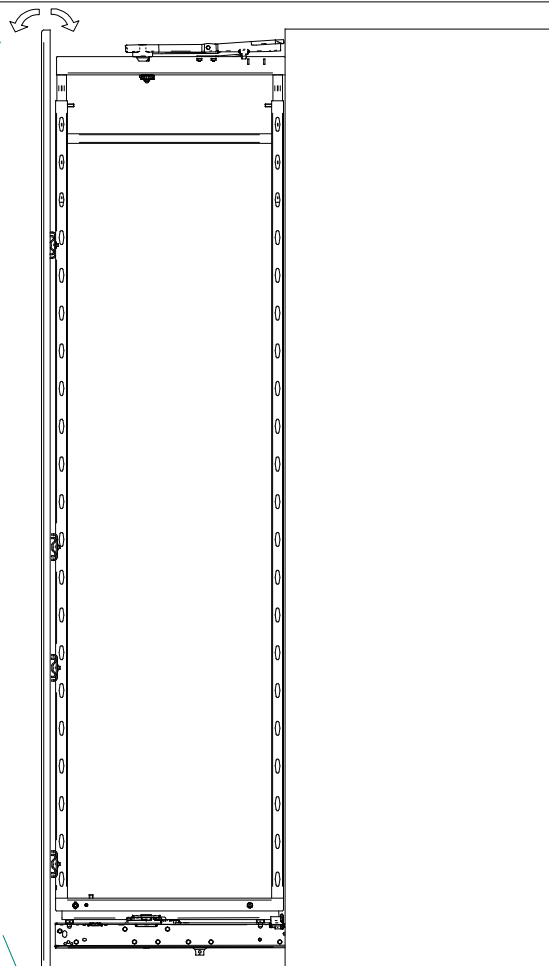
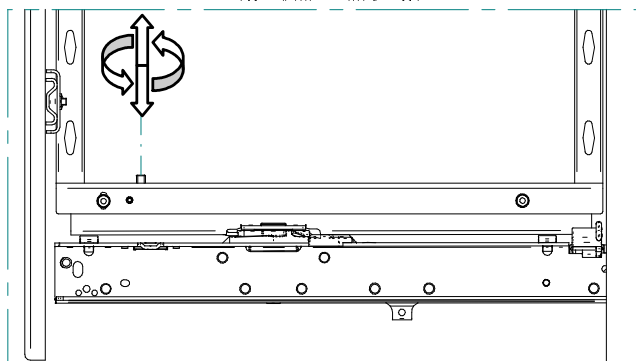


15

C5 x2  
L3

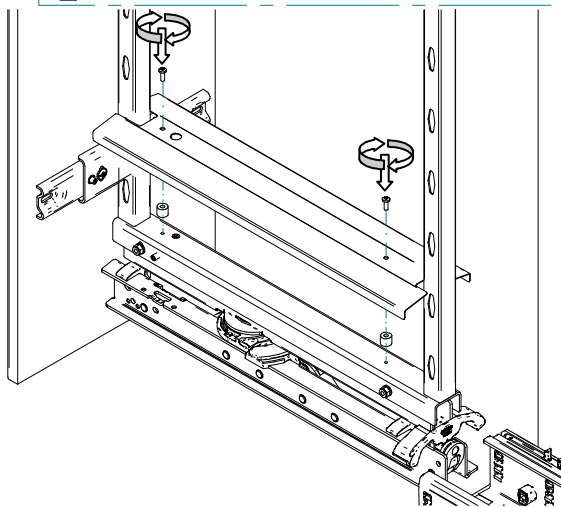


L4



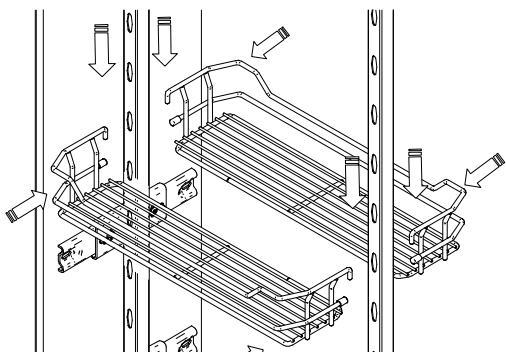
16

B7 x1  
B8 x2  
B9 x2



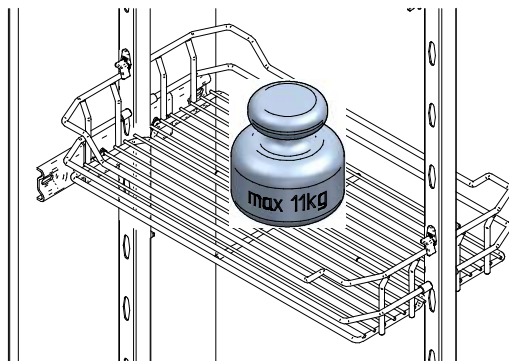
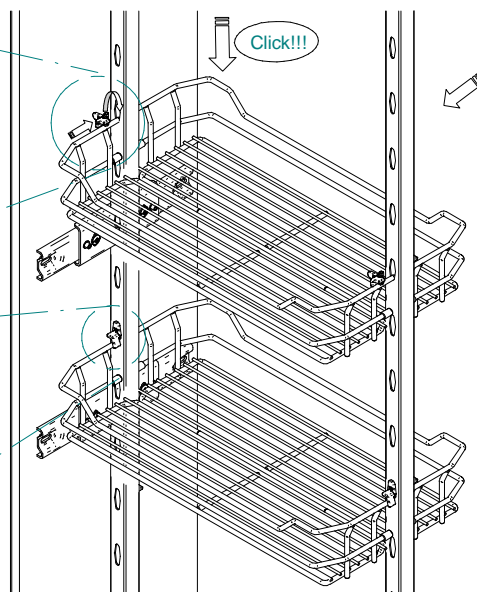
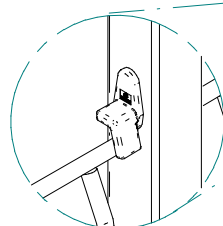
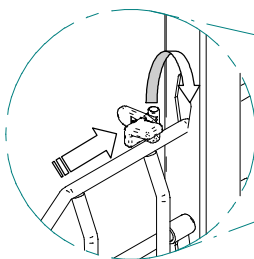
17

B10



18

B11



Max. 11kg