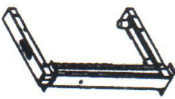










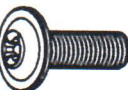





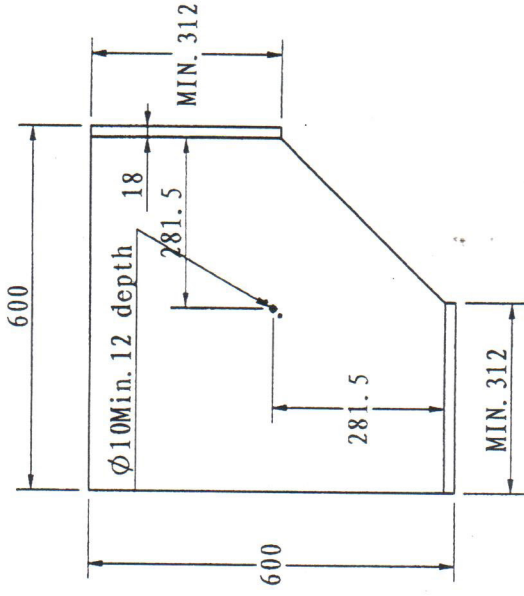
Fixing manual for PIJU06K

1. List of parts:

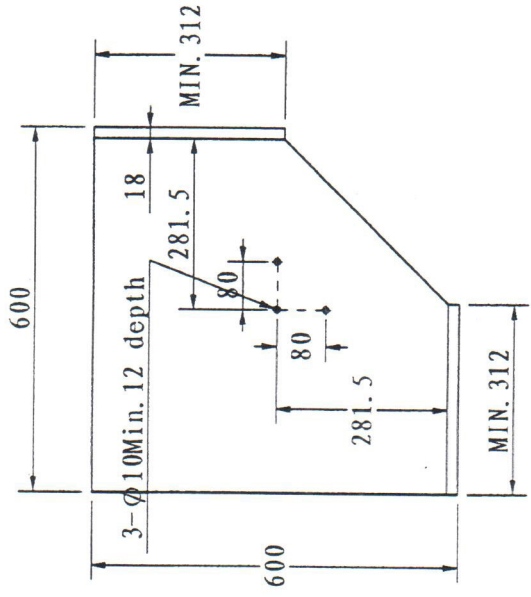
A 1 PCS 	B 1 PCS 	C 1 PCS 	D 1 PCS 	E 1 PCS 
F 1 PCS 	G 2 PCS 	H 1 PCS 	I 2 PCS 	J 2 PCS 
K 12 PCS 	L 4 PCS 	M 4 PCS 	N 2 PCS 	P 8 PCS 

3. Fixing steps:

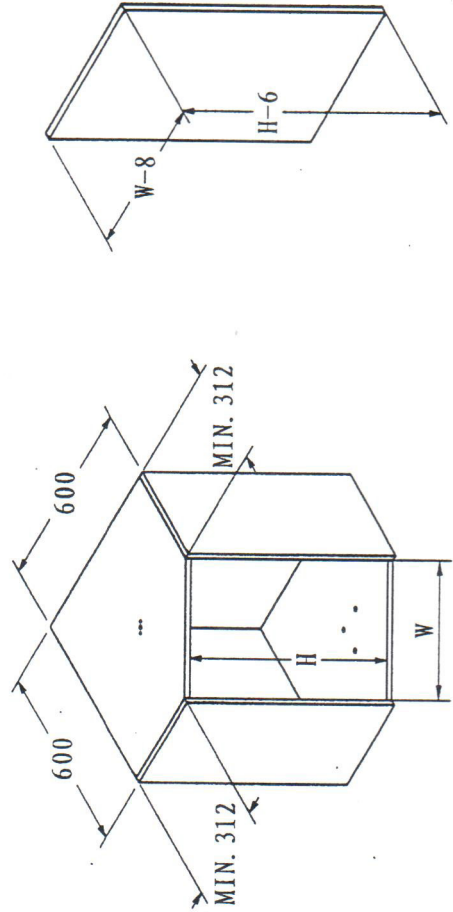
A. installation for upper board of cabinet:



B. Installation for bottom board of cabinet:

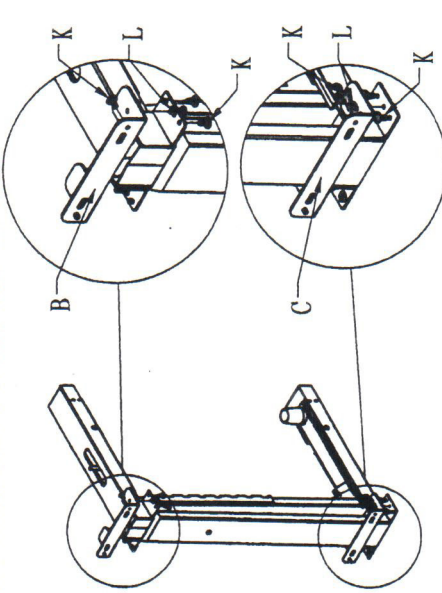


2. Product dimension: $\phi 510 \times H$ (660-880), sizes of suitable cabinet and door as below (Protector is needed on two sides of the door: anti-collision strip).

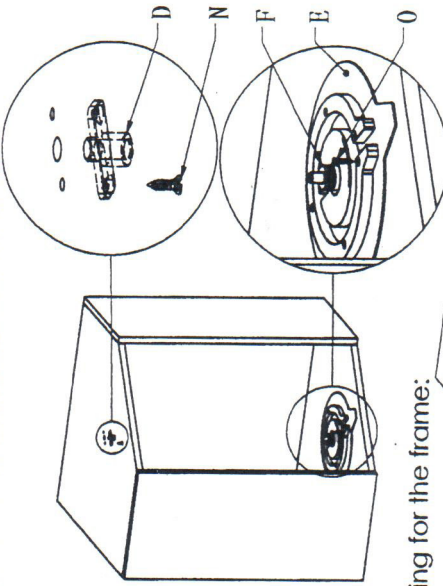


Fixing manual for PTJ006K

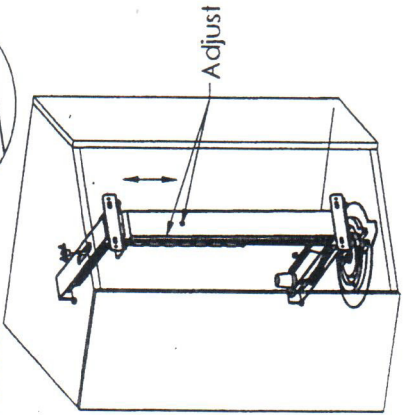
C. Installation of accessories B, C, K, L.



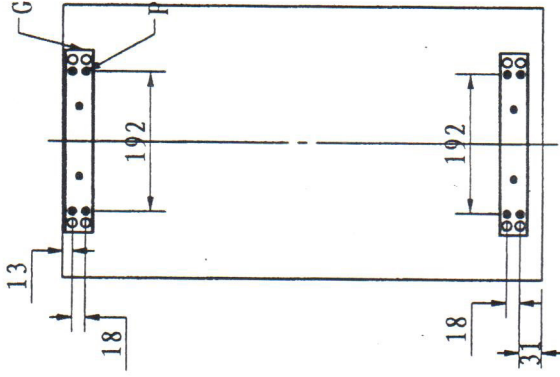
D. Installation of accessories D, E, F, N, O.



E. Fixing for the frame:



F. Installation of accessories G, P.



G. Installation of accessories H, I, J.

